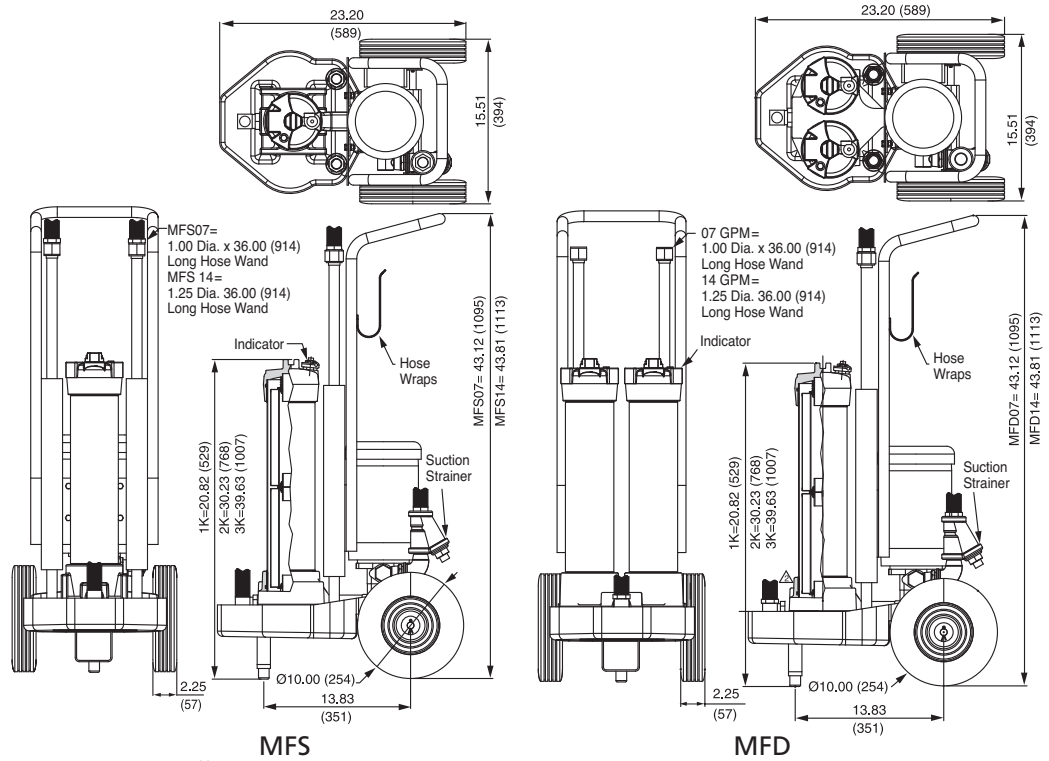


# Mobile Filtration Systems



## MFS MFD



Metric dimensions in ( ).

## Description

The Schroeder Mobile Filtration System is a compact, self-contained filtration system equipped with high efficiency, high capacity elements capable of removing particulate contamination and/or water quickly, conveniently and economically. It is perfect for cleaning up existing systems as well as for prefiltering new fluids, since new fluids often have contamination levels significantly higher than that recommended for most hydraulic systems.

The most attractive feature of the Mobile Filtration System is the significant reduction in noise, being reduced from 91 decibels to 72 decibels at full load. Additional improvements include a modular base that eliminates hoses and fittings between components, a drip pan, and easier element servicing through the new patent pending K9 base-ported filter housing.

The MFS single filtration unit can remove either water or particulate contamination. The MFD dual filtration unit can be used to remove both water and particulate contamination, or for staged particulate contaminant removal.

## Features

- Modular base eliminates hoses between components and minimizes leakage
- Base-ported filter provides easy element service from the top cap
- Single, double and triple bowl length option allows the flexibility of additional dirt-holding capacity
- D5 Dirt Alarm® indicates when filter element needs changed
- Cleans up oil faster – 7 gpm and 14 gpm models available
- Hoses and connection tubes included
- Drip pan catches oil before it falls to the ground
- Integral suction strainer protects pump
- Off-line stationary system available – see Kidney Loop System, page 74
- Two 7/16 – 20 UNF sampling ports included on all models



# Mobile Filtration Systems

- Supplementing continuous filtration by system filters
- Cleaning up a hydraulic system following component replacement
- Filtering new fluid before it is put into service
- Transferring fluid from storage tanks and drums to system reservoirs

## Applications

TCM  
TCM-FC  
TSU  
TMU

## Specifications

<b>Flow Rating:</b>	7 gpm (26.5 L/min) max or 14 gpm (53.0 L/min) max
<b>Maximum Viscosity:</b>	1000 SUS (216 cSt) Higher viscosity version available. Contact factory for details.
<b>Hose Pressure Rating:</b>	30 psig (2.0 bar) @ 150°F (65.6°C) Full vacuum @ 150°F (65.6°C)
<b>Fluid Temperature:</b>	25°F to 150°F (-4°C to 65°C)
<b>Bypass Valve Setting:</b>	Cracking: 30 psi (2 bar)
<b>Material:</b>	Manifold and cap: Cast aluminum Element case: Steel
<b>Compatibility:</b>	All petroleum based hydraulic fluid. Contact factory for use with other fluids.
<b>Motor:</b>	115 VAC Single phase 3/4 hp (7 gpm) or 1-1/2 hp (14 gpm)
<b>Element Change Clearance:</b>	8.50 (215) 1K (9, 18 or 27" depending on model configuration)

TPM  
TIM  
TMS  
CTU  
TWS-C  
ET-100-6  
HMG 3000  
EPK  
HTB  
GS

GPM	MFS-1K lb (kg)	MFS-2K lb (kg)	MFS-3K lb (kg)	MFD-1K lb (kg)	MFD-2K lb (kg)	MFD-3K lb (kg)
7	170 (77)	180 (82)	190 (86)	185 (84)	203 (92)	220 (100)
14	177 (80)	187 (85)	197 (89)	192 (87)	210 (95)	227 (103)

## Weights

Trouble  
Check Plus  
Test Points  
Adapters  
Hose  
Joiners  
Microflex  
Hose

## How to Build a Valid Model Number for Schroeder Mobile Filtration Systems:

BOX 1	BOX 2	BOX 3	BOX 4	BOX 5	BOX 6	BOX 7
<input type="text"/>	<input type="text"/>	<input type="text"/>	<input type="text"/>	<input type="text"/>	<input type="text"/>	<input type="text"/>

**Example:** NOTE: One option per box

BOX 1	BOX 2	BOX 3	BOX 4	BOX 5	BOX 6	BOX 7
MFS	1	09	Z10	Z05	B	14

Model	No. of Elements	Element Length	Element Media First Filter	Element Media Second Filter (MFD Only)	Seal Material	Pump Size (gpm)
MFS	1	09	E, Z, EWR	E, Z, EWR	B = Buna N	07
MFD	2	18	plus 01, 03	plus 01, 03	V = Viton	14
	3	27	05 10, 25	05 10, 25	H.5 = Skydrol compatibility	

Preferred order codes designate shorter lead times and faster delivery.

### Notes:

Boxes 2 & 3: When Box 2 equals 2 or 3, Box 3 must be 09. 09 is a preferred order code only when the number of elements is 3.

Boxes 4 & 5: E media elements are only available in 03, 10 and 25 microns. Water removal (W) elements are indicated by an "EWR" in the part number and are not followed by a 01, 03, 05, 10 or 25.

Box 5: When MFD is ordered, the number of elements, element length, and seals will be identical for both filter housings.

Box 6: H.5 seal designation may be used with 3, 5, 10, and 25µ Z (synthetic) and calls for EPR seals, stainless steel wire mesh in element(s) and Imron® epoxy coated enclosures on cart. Imron is a registered trademark of DuPont.

Contact factory for high viscosity version.

## Model Number Selection

Pressure  
Limiters  
Pressure  
Gauges  
Test Kits  
Probalizer  
Filtration  
Station  
MFS, MFD  
AMS, AMD  
KLS, KLD  
AKS, AKD  
KLC  
X Series  
MTS  
HFS  
SVD  
TDS-A  
TDS-E  
IXU  
Appendix