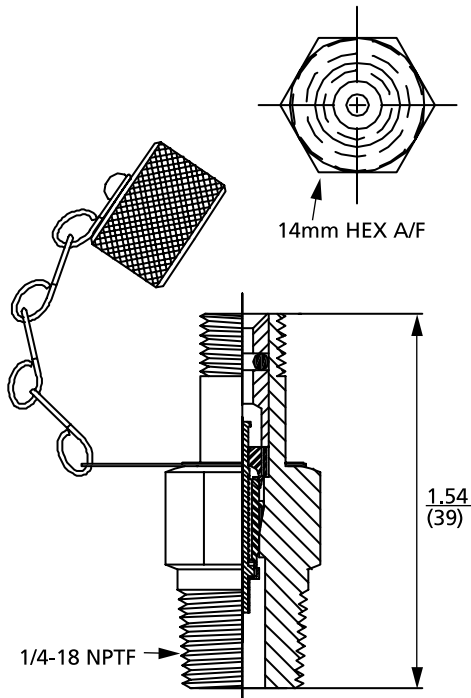


Probalizer™ Sampling Test Point



Metric dimensions in ().

P/N LF-7611



Bottle and cap sold separately under P/N LF-7374.

The Probalizer™ Sampling Test Point provides a point of access for obtaining representative fluid samples from an operational hydraulic system. The downstream channel is specially sized to accept the sampling probe from a customized cap/probe assembly screwed onto a sample bottle. (See photo). Use of this system minimizes leakage and helps to maintain the integrity of the sample.

Part Number:	LF-7611
Flow Rate:	400 mL/min @ 35 psi; 1000 mL/min @ 100 psi
Burst Pressure:	4500 psi (310 bar) min
Sampling Pressure Range:	1 to 100 psi (0.07 to 6.89 bar)
Mounting Thread:	1/4" NPT

Part Number	Description
LF-7611	Probalizer Sampling Test Point
LF-7374	Bottle and cap (pictured above)

**Part
Number
Selection**

- TCM
- TCM-FC
- TMU
- SMART® Kit
- TPM
- TIM
- CTU
- TWS-C
- ET-100-6
- HMG 3000
- EWC
- EPK
- HTB
- GS
- Trouble Check Plus
- Test Points
- Adapters
- Hose Joiners
- Microflex Hose
- Pressure Limiters
- Pressure Gauges
- Test Kits
- Probalizer
- AFM
- MSS, MDS
MFS, MFD
- AMS, AMD
- KSS, KSD
KLS, KLD
- AKS, AKD
- KLC
- X Series
- HFS
- MTS
- SVD
- Appendix