

SCHROEDER REPLACEMENT ELEMENT For Longwall Shields

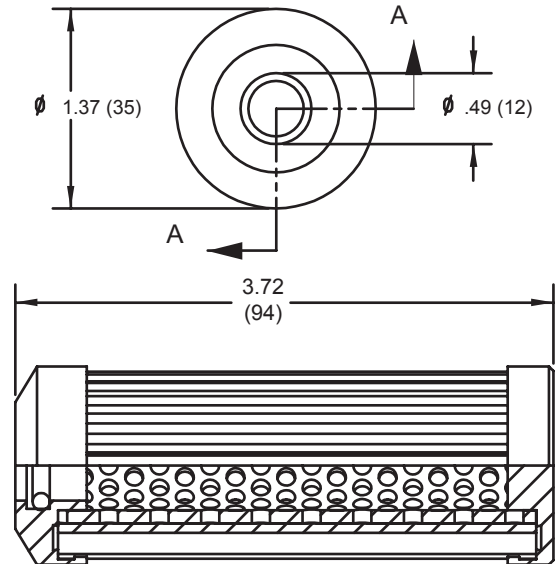


Replacement for FA24093 element

Schroeder Part Number: MSB-05841-340B (40μ)



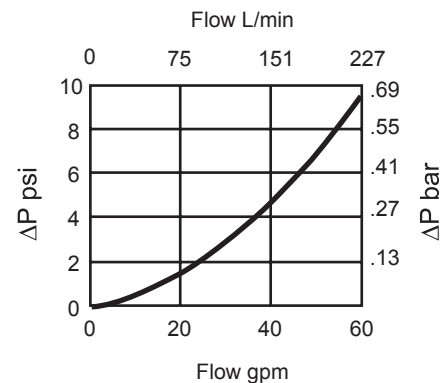
Made In The
U.S.A



Technical Specifications

- Max Pressure: 6,000 psi
- Max Differential Pressure: 6,000 psid
- Crush Rating: >6,000 psid
- Material:
 - End Caps: Stainless Steel
 - Support Tubes: Stainless Steel
 - Metal Mesh: Stainless Steel
 - O-Ring: Buna N
- Flow Rating: See Graph
- Filter Rating: 40 micron
- * contact factory for additional filter ratings

Pressure Drop



Advantages

- **Lower pressure drop** – better media construction results in lower pressure drop across element, promoting longer life.
- **Proven Schroeder quality** – Schroeder has been providing contamination solutions to the mining industry for over 60 years.
- **Factory & field support** – dedicated specifically to the mining industry.

L-2782