

# SCHROEDER REPLACEMENT ELEMENT For Longwall Shields



MINING  
Product Data Sheet

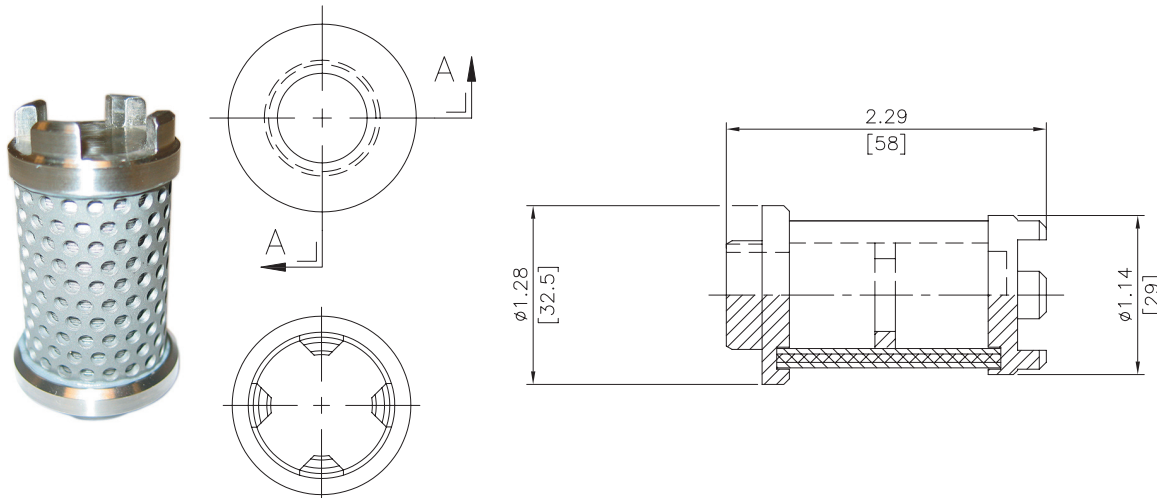
Replacement for 4UC 3070-030 (25 $\mu$ ), 4UC 3070-031 (40 $\mu$ ),  
4UC 3070-032 (80 $\mu$ ) & 4UC 3070-042 (100 $\mu$ ) elements

Schroeder Part Numbers:

MSB-3070-225 (25 $\mu$ ), MSB-3070-240 (40 $\mu$ ),  
MSB-3070-280 (80 $\mu$ ) & MSB-3070-2100 (100 $\mu$ )



Made In The  
U.S.A

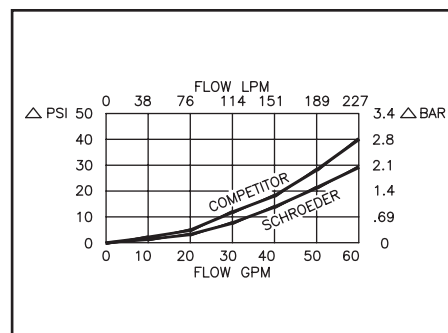


## Technical Specifications

- Max Pressure: 5000 PSI (350 Bar)
- Max Differential Pressure: 5000 PSID ( 350 Bar)
- Max Flow Rate: 52 GPM (200 L/min)
- Filter Rating: 25/40/80/100 Micron
- Material:

End Caps: Stainless Steel  
Support Tubes: Stainless Steel  
Metal Mesh: Stainless Steel Wrap  
Support Ring: Stainless Steel

## Pressure Drop



## Advantages

- **Lower pressure drop** – better media construction results in lower pressure drop across element, promoting longer life.
- **Proven Schroeder quality** – Schroeder has been providing contamination solutions to the mining industry for over 50 years.
- **Factory & field support** – dedicated specifically to the mining industry.

L-2747