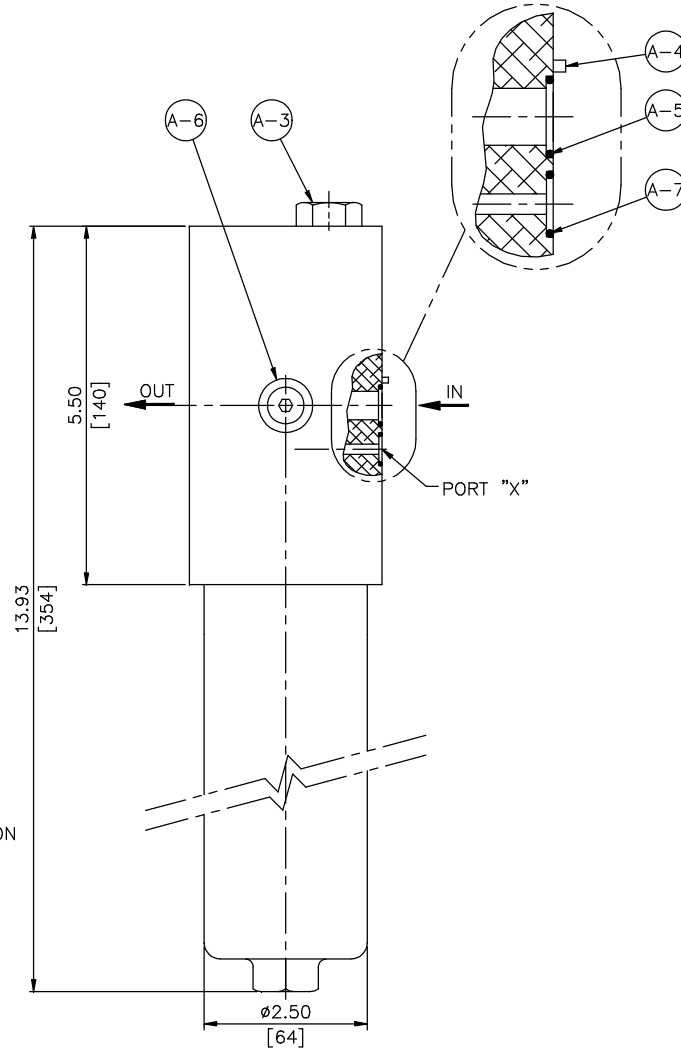


SECTION A-A



VIEW B-B

ITEM	QUAN.	PART DESCRIPTION	PART NUMBER
A	1	HEAD ASSEMBLY	A-NF-596
B	1	BOWL	NF-517
C	1	O-RING	NF-109
D	1	BACK UP RING	NF-110
A		HEAD ASSEMBLY COMPONENT PARTS	
A-1	1	HEAD	NF-595
A-2	1	BUSHING	NF-363
A-3	1	PLUG ASSEMBLY	A-LF-2550
A-4	1	EXPANSION PIN	NF-377
A-5	4	O-RING	LFT-938
A-6	1	PLUG, SOCKET HEAD	A-600-4
A-7	1	O-RING	HS-53

MATERIAL	DEC. TOLERANCES	APP. M. SCHMITT 3-15-06	REV. CARD:
	2 PL. ±	CHK. M. SCHMITT 3-15-06	REV. DATE:
	3 PL. ±	DWN. A. DUNN 3-9-06	B/M
	ANG. ±	DISK NO.	P/N

PARTS LIST DRAWING OF
NOF50-760 FILTER FOR
(MOOG SERVO CONFIGURATION)



REV.	DRAWING NO.
0	D-10088
SCALE: FULL	SHT. 1 OF 1