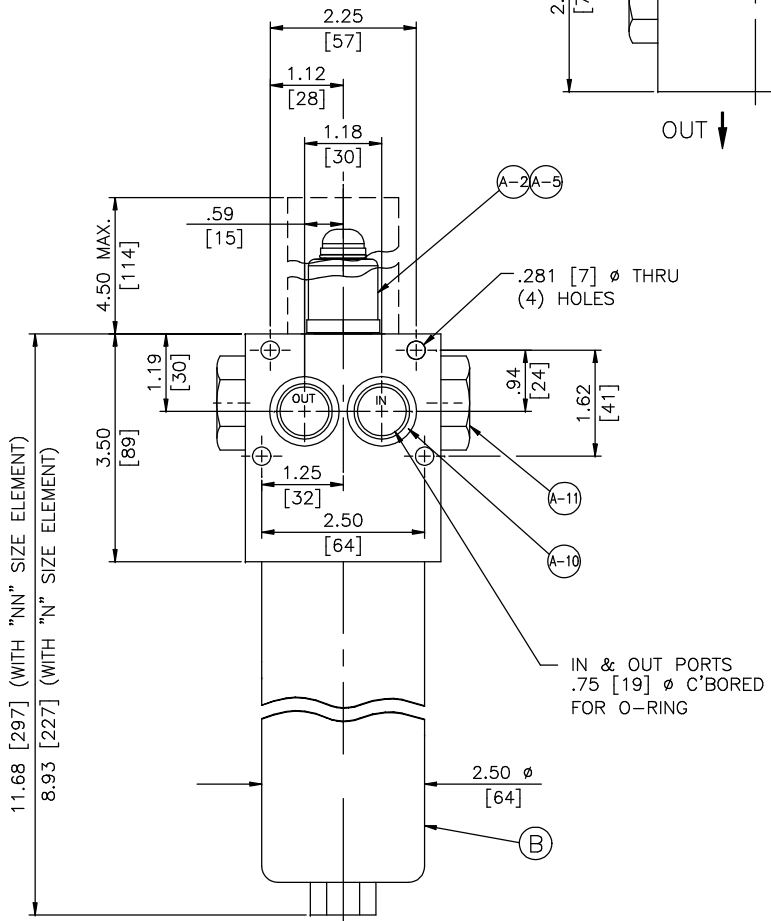
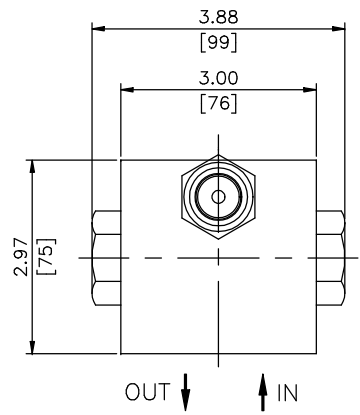


NFS30 WITH PO;SO;FO PORT CONFIGURATION



NFS30 WITH "O" SUBPLATE PORT CONFIGURATION

MATERIAL	DEC. TOLERANCES	APP.	REV. CARD: 11127
	2 PL. ±	CHK. SMITCHELL	7-10-98 REV. DATE: 10/6/08
	3 PL. ±	DWN. R. HOLEWSKI	7-10-98 B/M
	ANG. ±	DISK NO.	P/N

PARTS LIST DRAWING FOR NFS30 FILTER



REV.	DRAWING NO.
2	D-7605

SCALE: FULL SHT. 1 OF 2

NFS30 PARTS LIST

ITEM	QUAN.	PART DESCRIPTION	PART NUMBER		
A	1	HEAD ASSEMBLY	ORIGINAL		
		NFS30-O *	A-NF-465		
		NFS30-PO *	A-NF-508		
		NFS30-O-D5	A-NF-438		
B	1	BOWL 1N LENGTH	NF-103		
		BOWL 1NN LENGTH	NF-116		
C	1	DIRT ALARM NAMEPLATE	NF-423		
D	1	FILTER SEAL KIT ASSEMBLY			
		FILTER SEAL KIT (BUNA N)	A-NF-568		
		FILTER SEAL KIT (E.P.R.)	A-NF-568B		
		FILTER SEAL KIT (VITON)	A-NF-568V		
E	1	"O" RING	NF-109		
F	1	BACK-UP RING	NF-110		
A	1	HEAD ASSEMBLY COMPONENT PARTS			
A-1		NFS30-O HEAD	NF-428		
		NFS30-PO HEAD	NF-433		
		NFS30-O-D5 HEAD	NF-428		
A-2	1	DIRT ALARM MECHANICAL CARTRIDGE (D5)	D5-60		
A-3	1	ELECTRICAL SWITCH (MS5AC/DC/LC FAMILY)	A-LF-2548		
A-4	1	DIRT ALARM VISUAL POINTER (D)	A-LF-283CP-1	SEE NOTE #6	
A-5	1	DIRT ALARM ELECTRICAL SWITCH (MS2) (N/S)	LF-1540	SEE NOTE #5	
A-6	1	BYPASS VALVE AND LINKAGE ASSEMBLY	A-NF-196		
A-7	1	BYPASS VALVE ASSEMBLY (N/S)	A-NF-216		
A-8	1	BUSHING	NF-203		
A-9	1	PLUG ASSEMBLY (NO INDICATOR IN HEAD) N/S	A-LF-2550		
A-10	2	"O"- RING	HS-57-90		
A-11	2	PLUG	HS-154		

NOTES:

- 1) HEAD ASSEMBLIES
 - * BASIC HEAD ASSEMBLIES DO NOT INCLUDE DIRT ALARMS, SWITCHES, OR SPECIAL SPRING SETTINGS. BASIC HEAD ASSEMBLIES INCLUDE THE BYPASS VALVE ASSEMBLY, UNLESS ORDERED AS A BLOCKED BYPASS. FOR HEAD ASSEMBLIES WITH INDICATORS OR SPECIAL SPRING SETTINGS CONTACT FACTORY.

- 2) ELECTRICAL SWITCHES
 - A-LF-2548AC IS AN MS5 SWITCH DESIGNED FOR USE WITH AC APPLICATIONS.
 - A-LF-2548DC IS AN MS5 SWITCH DESIGNED FOR USE WITH DC APPLICATIONS.
 - A-LF-2548LC IS AN MS5 SWITCH DESIGNED FOR USE WITH LOW VOLTAGE APPLICATIONS.
 - REVIEW PRODUCT CATALOG OR CONTACT FACTORY FOR ENTIRE LINE OF SWITCHES AVAILABLE.
 - ELECTRICAL MAGNETIC CARTRIDGES INCLUDES ALL MS5, MS10, MS11, MS12, MS13, MS14 MODELS, COLLECTIVELY REFERRED TO AS THE "MS5AC/DC/LC FAMILY".

- 3) CONTACT FACTORY FOR SPECIAL "G" NUMBER FILTERS, OR TO OBTAIN MORE INFORMATION REGARDING THIS FILTER.

- 4) D5 AND MS5 FAMILY INDICATORS AVAILABLE ONLY ON SUBPLATE MODELS.

- 5) LF-1540 WHEN USED REQUIRES A-NF-232 DIRT ALARM KIT, AND A-NF-132 MTG. BRACKET.

- 6) A-LF-283CP-1 WHEN USED REQUIRES A-NF-196 DIRT ALARM KIT.

N/S= NOT SHOWN
N/A= NOT AVAILABLE