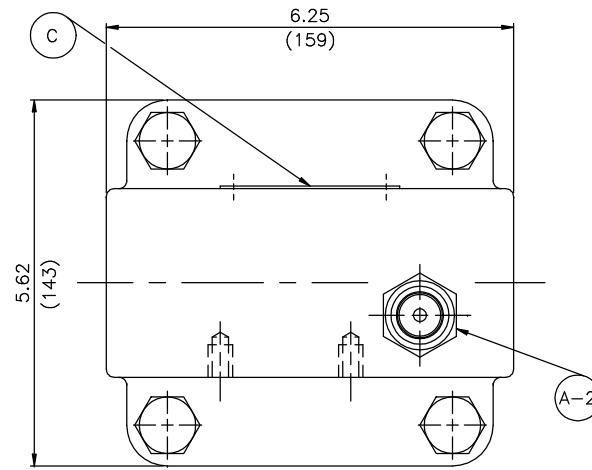
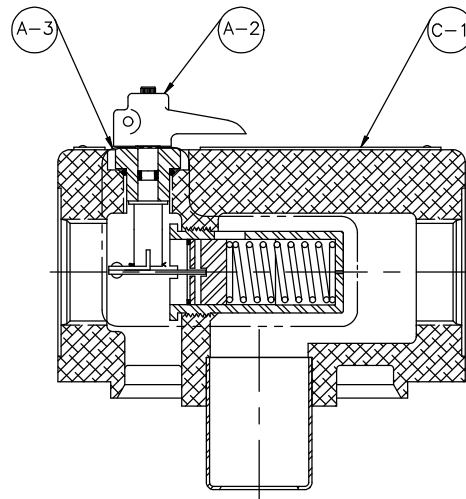


INDICATOR: DIRT ALARM ELECTRICAL
CAM OPERATED (MS)

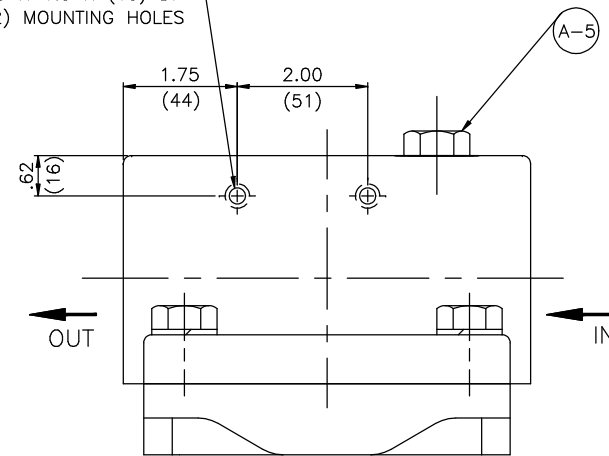


INDICATOR: DIRT ALARM MECHANICAL CARTRIDGE
VISUAL POP-UP (D5) OR (D8)



INDICATOR: DIRT ALARM VISUAL POINTER (D)

.38-16UNC-2B X .50 DP. OR
M10 X 1.5 X (13) DP
(2) MOUNTING HOLES



2.00 (51) MIN.
REQUIRED FOR
ELEMENT
REMOVAL

MATERIAL	DEC. TOLERANCES	APP.	REV. CARD: 9678
2 PL. ±	---	CHK: S. MITCHELL 7/9/98	REV. DATE: 10/6/08
3 PL. ±	---	DWN: R. HOLESKI 7/9/98	B/M
ANG. ±	---	DISK NO.	P/N

PARTS LIST OF
KF8 FILTER

Schroeder
INDUSTRIES LLC
www.schroederindustries.com


REV.	DRAWING NO.
5	D-7604
SCALE: FULL SHT. 1 OF 2	

KF8 PARTS LIST

ITEM	QUAN.	PART DESCRIPTION	PART NUMBER	
			ORIGINAL	SERIES "A"
A	1	HEAD ASSEMBLY		
		KF8-P24 * 1.50 NPTF PORTS		A-LF-6274
		KF8-S24 * 1.88-12 SAE STR THD PORTS	A-LF-5782	A-LF-5782-40
		KF8-F24 * 1.50 4-BOLT FLANGE CODE 61		A-LF-6436
		KF8-P24-D5 1.50 NPTF PORTS	A-LF-5892	A-LF-5892-40
		KF8-P32-D5 2.00 NPTF PORTS		A-LF-5950
		KF8-S24-D5 1.88-12 SAE STR THD PORTS	A-LF-5253	A-LF-5253-40
		KF8-F24-D5 1.50 4-BOLT FLANGE CODE 61		A-LF-6474
B	1	BOWL	LF-328SR	LF-328SR
C	1	MODEL# NAMEPLATE, AND STUD ASSEMBLY OR	A-LF-349C	A-LF-349C
C-1	1	DIRT ALARM NAMEPLATE, AND STUD ASSEMBLY	LF-435E-2	LF-435E-2
D	1	FILTER SEAL KIT ASSEMBLY		
		FILTER SEAL KIT (BUNA N)	A-LF-1844	A-LF-1844
		FILTER SEAL KIT (E.P.R.)	A-LF-1844B	A-LF-1844B
		FILTER SEAL KIT (VITON)	A-LF-1844V	A-LF-1844V
E	1	BOWL ACCESSORIES	A-LF-979	A-LF-979
F	1	COMPRESSION SPRING PLATE	LF-582A-1	LF-582A-1
G	1	COMPRESSION SPRING	LF-3236	LF-3236
A	1	HEAD ASSEMBLY COMPONENT PARTS		
A-1		KF8-P24 * 1.50 NPTF PORTS	LF-5562	LF-5562
		KF8-S24 * 1.88-12 SAE STR THD PORTS	LF-5254	LF-5254
		KF8-F24 * 1.50 4-BOLT FLANGE CODE 61	LF-6262	LF-6262
A-2	1	DIRT ALARM MECHANICAL CARTRIDGE (D5)	D5-30	D5-40
		DIRT ALARM MECHANICAL CARTRIDGE (THERMAL) (D8)	A-LF-3870	A-LF-3870-40
		DIRT ALARM ELECTRICAL CARTRIDGE N/S	SEE NOTE 2	SEE NOTE 2
		DIRT ALARM VISUAL POINTER (D)	A-LF-283CP-1	A-LF-283CP-1
		DIRT ALARM ELECTRICAL CAM OPER (SEE NOTE 6) (MS)	LF-376	LF-376
A-3	1	BYPASS VALVE ASSEMBLY	A-LF-2434-30	A-LF-2434-40
		BYPASS VALVE AND LINKAGE ASSEMBLY	A-LF-2708	A-LF-2708-40
A-4	1	BUSHING	LF-571	LF-571
A-5	1	PLUG ASSEMBLY (NO INDICATOR IN HEAD)	A-LF-2550	A-LF-2550
E	1	BOWL ACCESSORIES COMPONENT PARTS		
E-1	1	RETAINING RING	LF-1425	LF-1425
E-2	1	"O" RING	LF-3160	LF-3160
E-3	4	WASHER	LF-414	LF-414
E-4	4	CAP SCREW	LF-493B	LF-493B

NOTES:

- 1) * INDICATES NO INDICATOR.
 D5 INDICATES RED POP UP VISUAL INDICATOR
 D8 INDICATES RED POP UP VISUAL INDICATOR WITH THERMAL LOCK-OUT
 D INDICATES DIRT ALARM VISUAL POINTER
 MS INDICATES DIRT ALARM ELECTRICAL CAM OPERATED
- 2). CONTACT FACTORY FOR AVAILABILITY OF VARIOUS ELECTRICAL DIRT ALARMS AND PART NUMBERS OR CONSULT SCHROEDER FILTRATION PRODUCTS CATALOG "SCHROEDER CARTRIDGE DIRT ALARMS" SECTION
- 3). CONTACT FACTORY FOR SPECIAL "G" NUMBER FILTERS, AND FOR NON-STANDARD BYPASS SETTINGS
- 4). HEAD ASSEMBLIES INCLUDE BYPASS VALVE ASSEMBLIES
- 5). FILTER SEAL KIT ASSEMBLY INCLUDES ALL SOFT SEALS EXCEPT ELEMENT O-RING
- 6). LF-376 ELECTRICAL SWITCH WHEN USED REQUIRES A-LF-831-1 KIT

KF8 FILTER SERIES LIST			
SERIES	DATE ISSUED	DATE IMPLEMENTED	DESCRIPTION
A	11-4-99	6-1-00	CHANGED BYPASS FROM 30 PSI TO 40 PSI
PARTS LIST OF KF8 FILTER			 www.schroederindustries.com
		REV. 5	DRAWING NO. D-7604
		SCALE: FULL SHT. 2 OF 2	

N/S= NOT SHOWN
 N/A= NOT AVAILABLE