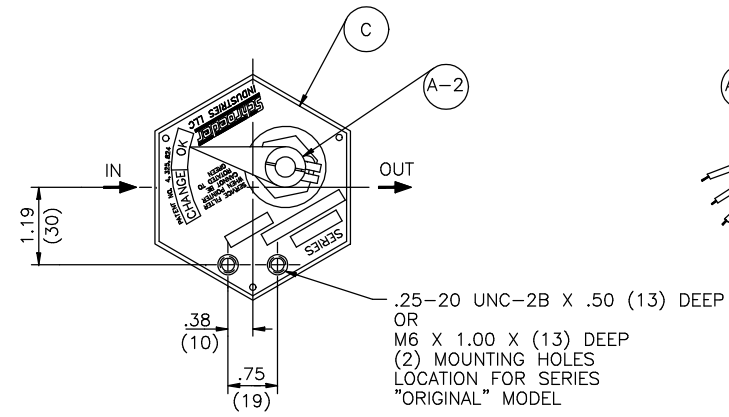
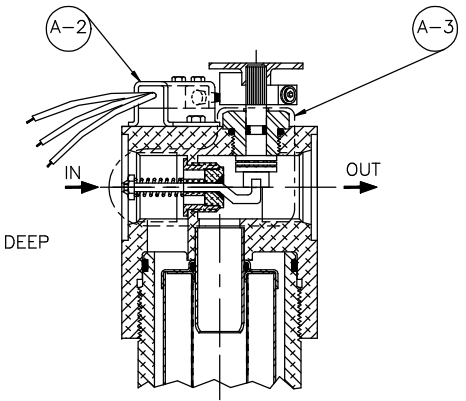


HEAD LOCATION
DIRT ALARM MECHANICAL CARTRIDGE
SERIES: "A"
DIRT ALARM ELECTRICAL CARTRIDGE
MOUNTED IN SAME LOCATION



HEAD LOCATION
DIRT ALARM VISUAL
POINTER
SERIES: "ORIGINAL"



HEAD LOCATION
DIRT ALARM ELECTRICAL
CAM OPERATED
SERIES: ORIGINAL

MATERIAL	DEC. TOLERANCES	APP.	REV. CARD: 6903
2 PL. ±	---	CHK. SMITH/ELL 2-15-88	REV. DATE: 10/6/08
3 PL. ±	---	DWN. J. SLAVIK 2-15-88	B/M
ANG. ±	---	DISK NO. D-105	P/N

PARTS LIST FOR NF30 FILTER



REV.	DRAWING NO.
12	D-5723
SCALE: FULL SHT. 1 OF 2	

NF30 FILTER PARTS LIST

ITEM	QUAN.	PART DESCRIPTION	PART NUMBER	
			ORIGINAL	SERIES "A"
A	1	HEAD ASSEMBLY		
		NF30-S * 1.062-12 STR. THD. PORT	N/A	A-NF-287
		NF30-P * .75 NPTF PORT	N/A	A-NF-288
		NF30-S-D5 1.062-12 STR. THD. PORT	N/A	A-NF-289
		NF30-P-D5 .75 NPTF PORT	N/A	A-NF-290
		NF30-B-D5 .75-14 BSPP PORT	N/A	A-NF-470
		NF30-S-D 1.062-12 STR. THD. PORT	A-NF-177	N/A
		NF30-P-D .75 NPTF PORT	A-NF-178	N/A
		NF30-B-D .75-14 BSPP PORT	A-NF-211	N/A
		NF30-S-MS2 1.062-12 STR. THD. PORT	A-NF-199	N/A
		NF30-P-MS2 .75 NPTF PORT	A-NF-162	N/A
B	1	BOWL		
		1N ELEMENT BOWL	NF-103	NF-103
		1NN ELEMENT BOWL	NF-116	NF-116
C	1	NAMEPLATE AND STUD ASSEMBLY	----	A-LF-349C
		DIRT ALARM NAMEPLATE AND STUD ASSEMBLY	NF-283	----
D	1	BOWL ACCESSORIES		
		"O" RING	NF-109	NF-109
		BACK-UP RING	NF-110	NF-110
E	1	FILTER SEAL KIT ASSEMBLY		
		FILTER SEAL KIT (BUNA-N)	A-NF-182	A-NF-327
		FILTER SEAL KIT (VITON)	A-NF-182V	A-NF-327V
A	1	HEAD ASSEMBLY COMPONENT PARTS		
A-1		NF30-S 1.062-12 STR. THD. PORT	NF-101	NF-295
		NF30-P .75 NPTF PORT	NF-100	NF-294
		NF30-S-D5 1.062-12 STR. THD. PORT	N/A	NF-295
		NF30-P-D5 .75 NPTF PORT	N/A	NF-294
		NF30-B-D5 .75-14 BSPP PORT	N/A	NF-401
		NF30-S-D 1.062-12 STR. THD. PORT	NF-131	N/A
		NF30-P-D .75 NPTF PORT	NF-130	N/A
		NF30-B-D .75-14 BSPP PORT	NF-188	N/A
		NF30-S-MS2 1.062-12 STR. THD. PORT	NF-202	N/A
		NF30-P-MS2 .75 NPTF PORT	NF-245	N/A
A-2	1	DIRT ALARM MECHANICAL CARTRIDGE (D5)	N/A	D5-40
		DIRT ALARM ELECTRICAL CARTRIDGE (NS)	N/A	SEE NOTE 7
		DIRT ALARM VISUAL POINTER	A-LF-283CP-1	N/A
		DIRT ALARM ELECTRICAL CAM OPER. (SEE NOTE 5) MS2	LF-1540	N/A
A-3	1	BYPASS VALVE AND LINKAGE ASSEMBLY FOR POINTER TYPE DIRT ALARM	A-NF-196	N/A
		BYPASS VALVE AND LINKAGE ASSEMBLY FOR (MS) DIRT ALARM ELECTRICAL CAM OPERATED	A-NF-232	N/A
		BYPASS VALVE ASSEMBLY	A-NF-216	A-NF-216
A-4	1	BUSHING	NF-203	NF-203
A-5	1	PLUG ASSEMBLY (NO INDICATOR IN HEAD)	A-LF-2550	A-LF-2550

N/A = NOT AVAILABLE

N/S = NOT SHOWN

NOTES:

- 1.) * INDICATES NO INDICATOR
D INDICATES VISUAL INDICATOR
MS2 INDICATES ELECTRIC SWITCH
- 2.) COMPLETE HEAD ASSEMBLY FOR SERIES "ORIGINAL" AND "A" FILTERS ARE INTERCHANGEABLE.
- 3.) HEAD ASSEMBLIES INCLUDE VALVE ASSEMBLY.
- 4.) FILTER SEAL KIT ASSEMBLY INCLUDES ALL SOFT SEALS EXCEPT ELEMENT "O" RING.
- 5.) LF-1540 WHEN USED REQUIRES A-NF-132 KIT.
- 6.) CONTACT FACTORY FOR SPECIAL "G" NUMBER FILTERS AND FOR NON-STANDARD BYPASS SETTINGS.
- 7.) CONTACT FACTORY FOR AVAILABILITY OF VARIOUS ELECTRICAL DIRT ALARMS AND PART NUMBERS OR CONSULT SCHROEDER FILTRATION CATALOG "SCHROEDER CARTRIDGE DIRT ALARMS" SECTION.

NF30 FILTER SERIES LIST			
SERIES	DATE ISSUED	DATE IMPLEMENTED	DESCRIPTION
ORIGINAL			PISTON TYPE BYPASS AND POINTER TYPE DIRT ALARM
A	8-14-85	10-1-85	DIRT ALARM MECHANICAL OR ELECTRICAL CARTRIDGE OR DOUBLE "O" RING PLUG ASSEMBLY

PARTS LIST FOR
NF30 FILTER



REV. 12	DRAWING NO. D-5723
SCALE: FULL SHT. 2 OF 2	