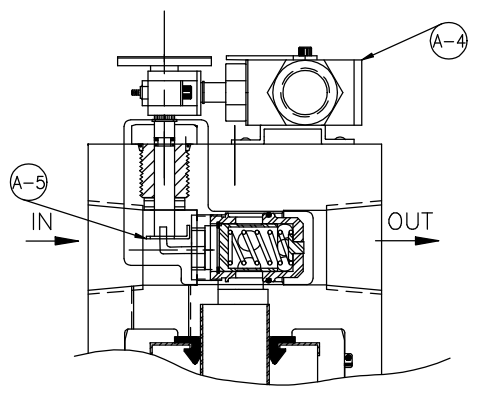
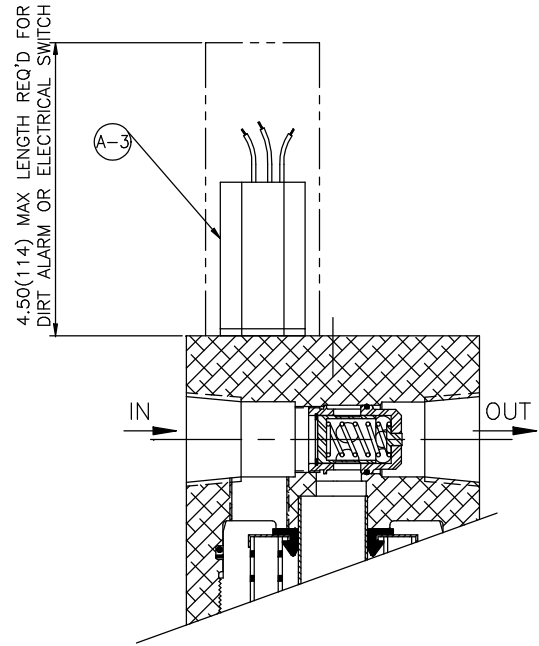
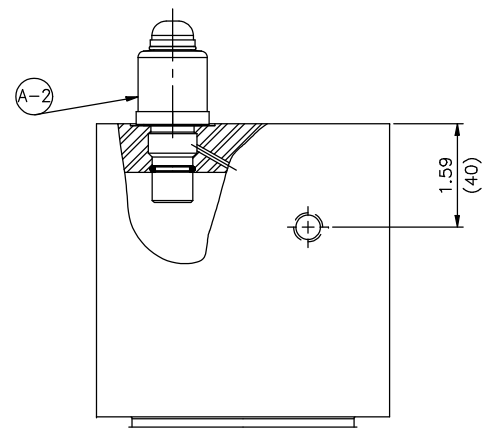
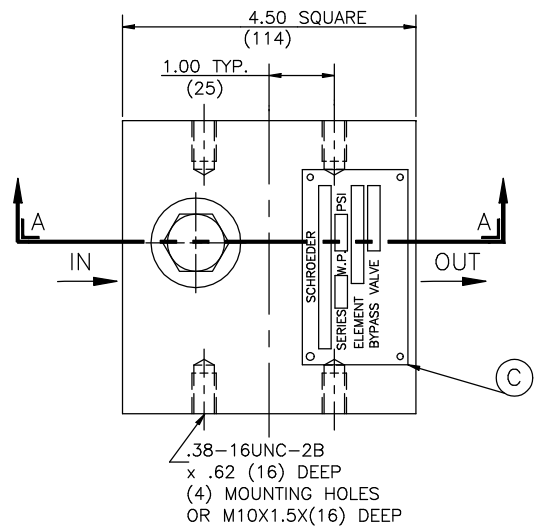


SECTION A-A



MATERIAL	DEC. TOLERANCES	APP.	REV. CARD: 9020
2 PL. ±	---	CHK. SMITH/ELL	6-19-98
3 PL. ±	---	DWN. R. HOLEWSKI	6-19-98
ANG. ±	---	DISK NO. ---	P/N

CFX30 PARTS LIST DWG.



REV.	DRAWING NO.
5	D-5635

SCALE: FULL SHT. 1 OF 2

CFX30 PARTS LIST

ITEM	QUAN.	PART DESCRIPTION	PART NUMBER	
A	1	HEAD ASSEMBLY	ORIGINAL	SERIES "A"
		CFX30-S * 1.62-12 STR. THD. PORT	A-DF-135	A-DF-498
		CFX30-P * 1.25 N.P.T.F. PORT	A-DF-132	A-DF-517
		CFX30-S-D5 1.62-12 STR. THD. PORT	N/A	A-DF-522
		CFX30-P-D5 1.25 N.P.T.F. PORT	N/A	A-DF-539
B	1	BOWL		
		IC ELEMENT LENGTH	DF-801	DF-801
		ICC ELEMENT LENGTH	DF-802	DF-802
C	1	MODEL# NAMEPLATE, AND STUD ASSEMBLY	A-DF-72	A-DF-72
D	1	FILTER SEAL KIT ASSEMBLY		
		FILTER SEAL KIT (BUNA N)	A-DF-266	A-DF-560
		FILTER SEAL KIT (E.P.R.)	A-DF-266B	A-DF-560B
		FILTER SEAL KIT (VITON)	A-DF-266V	A-DF-560V
E	1	"O" RING	DF-6	DF-6
F	1	BACK-UP RING	DF-7-1	DF-7-1
A	1	HEAD ASSEMBLY COMPONENT PARTS		
A-1		CFX30-S 1.62-12 STR. THD. PORT	DF-377	DF-484
		CFX30-P 1.25 N.P.T.F. PORT	DF-157	DF-483
		CFX30-S-D5 1.62-12 STR. THD. PORT		DF-484
A-2	1	DIRT ALARM MECHANICAL CARTRIDGE (D5)	N/A	D5-30
A-3		ELECTRICAL SWITCH (MS5AC/DC/LC FAMILY)	N/A	A-LF-2548 AC/DC-30
A-4		DIRT ALARM ELECTRICAL CAM OPER. (M5)	LF-376	N/A
A-5	1	NON-BYPASS VALVE ASSEMBLY	A-DF-186	A-DF-183
A-6	1	BUSHING	TF-241	TF-241
A-7	1	PLUG ASSEMBLY (NO INDICATOR IN HEAD)	LF-285	A-LF-2550

NOTES:

- 1.) * INDICATES NO INDICATOR.
D INDICATES VISUAL INDICATOR.
MS INDICATES ELECTRIC SWITCH.
- 2.) COMPLETE HEAD ASSEMBLY FOR SERIES "ORIGINAL" AND "A" FILTERS ARE INTERCHANGEABLE BUT NOT ALL OF THE SUB ASSEMBLY PARTS.
- 3.) HEAD ASSEMBLIES INCLUDE VALVE ASSEMBLY.
- 4.) FILTER SEAL KIT ASSEMBLY INCLUDES ALL SOFT SEALS EXCEPT ELEMENT GROMMET.
- 5.) LF-376 WHEN USED REQUIRES A-LF-831-1 KIT.
- 6.) ELECTRICAL SWITCHES
A-LF-2548AC IS AN MS5 SWITCH DESIGNED FOR USE WITH AC APPLICATIONS.
A-LF-2548DC IS AN MS5 SWITCH DESIGNED FOR USE WITH DC APPLICATIONS.
A-LF-2548LC IS AN MS5 SWITCH DESIGNED FOR USE WITH LOW VOLTAGE APPLICATIONS.
REVIEW PRODUCT CATALOG OR CONTACT FACTORY FOR ENTIRE LINE OF SWITCHES AVAILABLE.
ELECTRICAL MAGNETIC CARTRIDGES INCLUDES ALL MS5, MS10, MS11, MS12, MS13, MS14 MODELS, COLLECTIVELY REFERRED TO AS THE "MS5AC/DC/LC/ FAMILY".
- 7.) CONTACT FACTORY FOR SPECIAL "G" NUMBER FILTERS, OR TO OBTAIN MORE INFORMATION REGARDING THIS FILTER.

CFX30 FILTER SERIES LIST			
SERIES	DATE ISSUED	DATE IMPLEMENTED	DESCRIPTION
ORIGINAL			PISTON TYPE BYPASS AND POINTER TYPE DIRT ALARM
A	8-14-85	10-1-85	CARTRIDGE TYPE BYPASS AND MAGNETIC INDICATOR AND DOUBLE "O"-RING PLUG FOR NON-INDICATOR FILTER

N/S= NOT SHOWN
N/A= NOT AVAILABLE