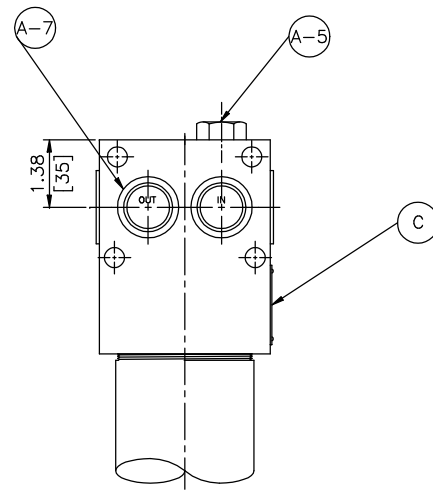


SECTION A-A



VIEW B-B

MATERIAL:

DEC.	TOLERANCES	ALL DIMENSIONS IN INCHES [MM]	REV. CARD: 11703
2	PL. ±	APP. M. SCHMITT	1-11-08 REV. DATE: 10/6/08
3	PL. ±	CHK. M. SCHMITT	1-11-08 B/M
	ANG. ±	DWN. A. BOST	1-9-08 P/N

PARTS LIST FOR
RFS50
FILTER

THESE DRAWINGS, SPECIFICATIONS, AND THE DESIGN CONTAINED HEREIN ARE THE EXCLUSIVE PROPERTY OF SCHROEDER INDUSTRIES LLC AND ARE CONFIDENTIAL. THESE DOCUMENTS SHALL NOT BE COPIED OR REPRODUCED IN PART OR IN FULL AS A BASIS OF REPRODUCING, IN WHOLE OR IN PART, OR BE USED IN ANY MANNER ATTEMPTING TO THE DETRIMENT OF THIS COMPANY, THEY ARE SUBJECT TO RETURN UPON REQUEST.



REV. 1 DRAWING NO. D-10552
SCALE: 3/4=1 SHT. 1 OF 2

