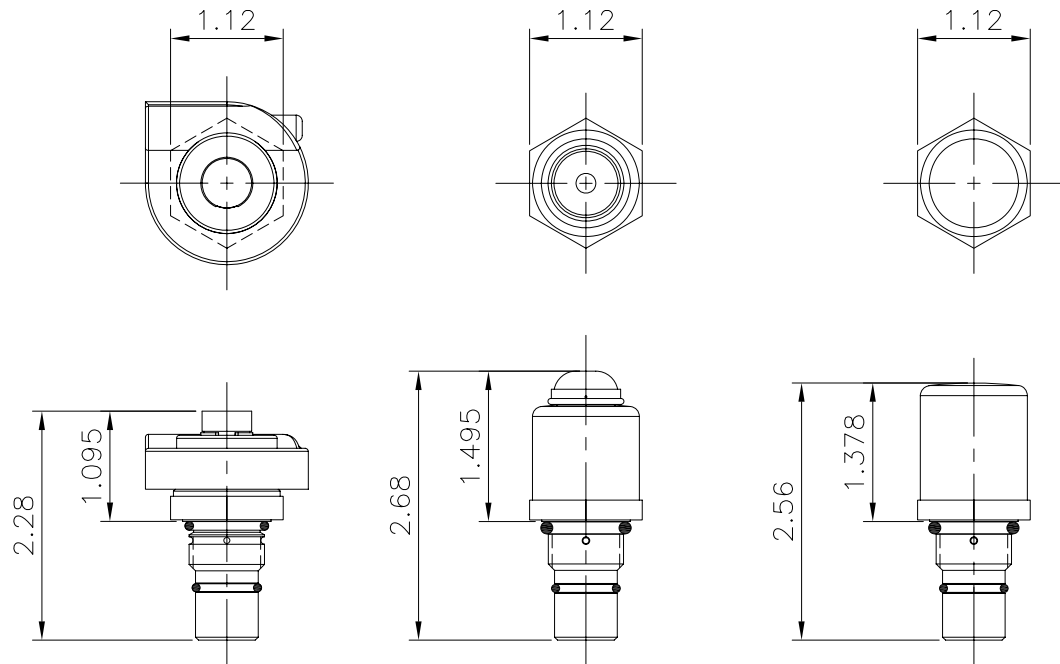


**ADVANTAGES:**

- THESE NEW INDICATORS ARE SNAP-ACTING. THIS MODE OF OPERATION IS A MAJOR IMPROVEMENT OVER THE CURRENT D5 DESIGN. BOTH THE LATCHING AND NON-LATCHING VERSIONS FEATURE A BRIGHT, EASILY DISCERNABLE RED OR GREEN SETTING. WITH THESE NEW INDICATORS THERE IS NO GUESS WORK AS TO WHICH COLOR IS PRESENT.
- SEALED DESIGN-WATER AND DUST PROOF. ALSO RESISTS UP TO 50% HYDROCHLORIC ACID SOLUTION.
- UPPER VISUAL SECTION IS SMALLER THAN 1 1/8" HEX ACROSS THE FLATS. THIS ALLOWS INSTALLATION WITH STANDARD TOOLS (SOCKETS, WRENCH, ETC) UNLIKE THE EXISTING DESIGN.
- ALL CURRENT REPLACEMENT INDICATORS ARE SHIPPED AS UNASSEMBLED KITS TO ALLOW INSTALLATION USING STANDARD TOOLS. THE NEW DESIGN WOULD ELIMINATE THE UNASSEMBLED KITS.
- PART CONSOLIDATION-THE NEW D5 USES THE SAME PISTON, NYLON LOCK NUT, AND SPRINGS AS THE MS10.

**DISADVANTAGES:**

- THE NEW LATCHING AND NON-LATCHING INDICATORS ARE SLIGHTLY TALLER THAN CURRENT, 1.495" AND 1.378" RESPECTIVELY VERSUS 1.095" CURRENT.



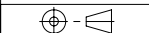
D5 INDICATOR  
EXISTING P/N  
A-LF-2547-##  
(DISCONTINUED)

NEW LATCHING  
INDICATOR  
NEW P/N D5-##

NEW NON-LATCHING  
INDICATOR  
NEW P/N D10-##

**NOTES:**

- 1.) ## = INDICATOR PRESSURE SETTING
- 2.) NON-STANDARD SEAL AND OPTIONS OMITTED FROM ABOVE PART NUMBERS FOR CLARITY.
- 3.) EXISTING D5 INDICATOR (A-LF-2547) WILL BE COMPLETELY DISCONTINUED AND NO LONGER AVAILABLE.
- 4.) THE EXISTING D8 THERMAL INDICATOR WILL REMAIN IN PRODUCTION UNTILL FURTHER NOTICE AS REPLACEMENT DESIGN IS IN DEVELOPMENT.



MATERIAL:

DEC. TOLERANCES	ALL DIMENSIONS IN INCHES [MM]	REV. CARD:
2 PL. ± --	APP. S.EVANOVICH 7/29/08	REV. DATE:
3 PL. ± --	CHK. S.EVANOVICH 7/29/08	B/M
ANG. ± --	DWN. A.BOST 7-23-08	P/N

SALES DRAWING OF  
NEW D5 AND D10  
INDICATORS

THESE DRAWINGS, SPECIFICATIONS, AND THE IDEAS CONTAINED HEREIN ARE THE EXCLUSIVE PROPERTY OF SCHROEDER INDUSTRIES LLC AND ARE CONFIDENTIAL. THESE DOCUMENT(S) SHALL NOT BE COPIED OR REPRODUCED IN PART OR IN FULL AS A BASIS OF DESIGN, MANUFACTURE, OR SALE, AND SHALL NOT BE USED IN ANY WAY DETRIMENTAL TO THE INTEREST OF THIS COMPANY. THEY ARE SUBJECT TO RETURN UPON REQUEST.



REV.	DRAWING NO.
	C- 13549
SCALE: 1=1	SHT.1 OF 1