

# HMG-3000

The HMG-3000 data recorder is a portable unit for measurement and data capturing tasks involving hydraulic and pneumatic systems.

The HMG-3000 can concurrently evaluate signals from up to 10 sensors. The unit features 5 input jacks for connecting the sensors. If necessary, this number can be doubled using a Y adapter for measurement operations involving more than 5 sensors. Schroeder offers HSI sensors (HSI = Hydraulic Sensor Interface) for pressure, temperature and flow rate, which are automatically recognized by the HMG-3000. Standard analog sensors can also be used, but these sensors must be manually configured.



## Features:

The HMG-3000 is user-friendly by virtue of its easy-access selection menus leading to all of the unit's functions and settings. The unit features a combination keypad for entering numeric values and text.

## Applications:

- Maintenance and Servicing
- Trouble Shooting
- Test Stands
- Quality Inspecting

## Specifications:

**Sensor Inputs:** 4 input jacks for 8 analog inputs  
1 input jack for 2 digital inputs  
Voltage input of -10 V to 10 V  
Connecting the sensors is done using a standard M12 x 1 plug connector (5-pin)

**Battery Service Time:** Without any sensors = 11 hours  
With 2 sensors = 9 hours  
With 4 sensors = 7 hours  
With 8 sensors = 4 hours

**Measured Value Memory:** Single recording: up to 500,000 measured values  
Archive memory: 64 MB (for approx. 60 individual recordings consisting of 500,000 measured values each)

**PC Link Interfaces:** USB port  
Standard serial port (RS 232) for communication and evaluation using the HMGWIN 3000 software

**Dimensions:** 9.68 x 6.85 x 2.28 in (246 x 174 x 58 mm)

**Weight:** 2.42 lbs. (1.10 kg)

**Operating Temperature:** 0°F to 122°F (0°C to 50°C)

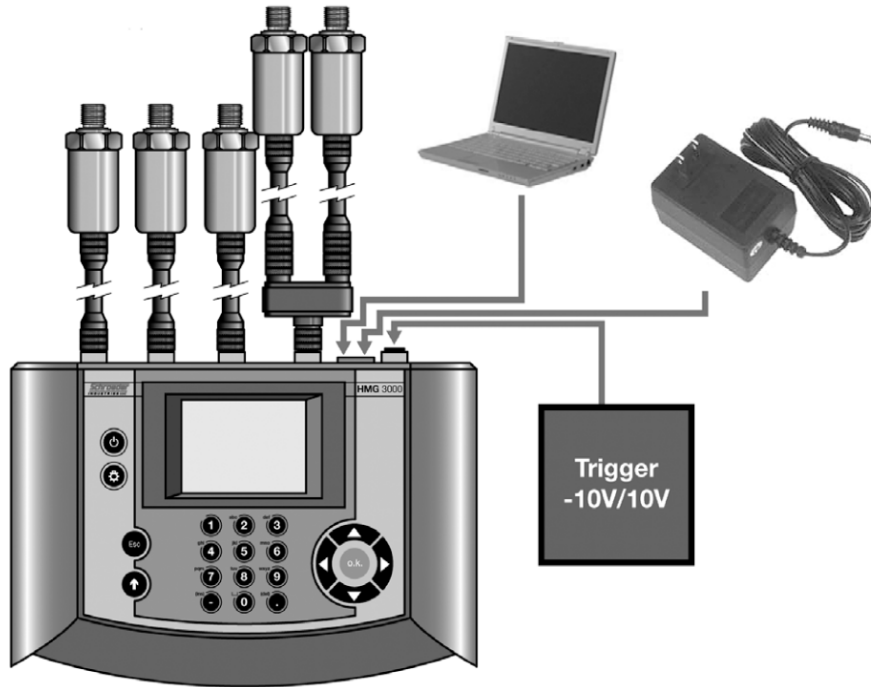
**Storage Temperature:** -4°F to 140°F (-20°C to 60°C)

**Relative Humidity:** 0 to 70%

**Standards with which the HMG Complies:** EMC: EN 61000-6-1, EN 610 0-6-2, EN 61000-6-3, EN 61000-6-4  
Safety: EN 61010 Protection type/rating: IP40

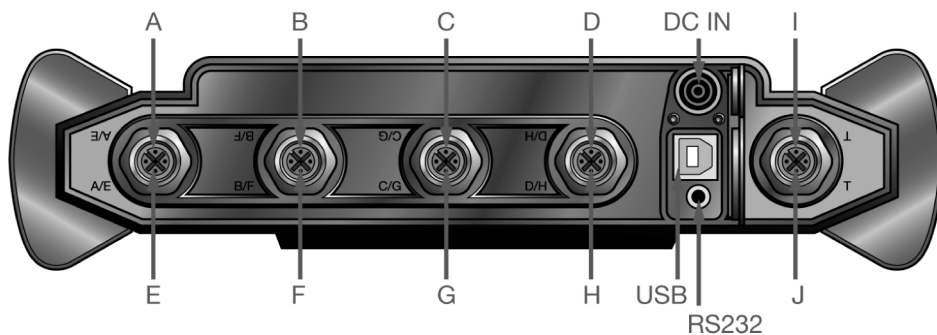


## HMG Display Panel:



## Connections:

- A - D & E - H    4 Sensor input jacks for up to 8 sensors with an analog signal (channel A - D and E - H\*),  
(e.g. for sensors for measuring pressure, temperature or flow rate.)  
The 4 input jacks can be doubled by plugging in Y adapters.  
*\* Channel H can be used for sensors with an analog signal as well as for voltage measurements of  
-10V to 10V.*
- I / J    1 or 2 input jacks for:  
2 digital signals, (e.g., for frequency or speed measurements) (channel I, J)  
1 voltage input (-10V to 10V, channel H\*)
- DC IN    Female connector for power supply
- USB    1 USB connector



580 West Park Road • Leetsdale, PA 15056  
p. 724.318.1100 • f. 724.318.1200