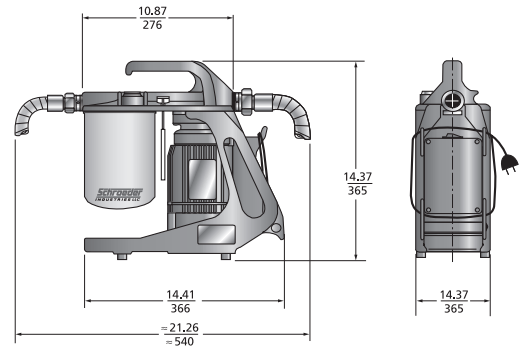


Handy Filter Systems

HFS



Metric dimensions in ().



Description

As the name implies, the HFS is a hand-held filtration unit that utilizes convenient Schroeder M-size spin-on elements. It is powered by an electrical motor that drives a low noise vane pump. All components are securely fixed to an aluminum framework with integral feet for stable placement. The HFS is ideal for maintaining off-highway vehicles and a wide variety of industrial equipment.

Features

- Spin-on elements make element changeouts quick and easy and limit oil spillage
- All units equipped with a clogging indicator
- Suction line incorporates a wire mesh strainer to protect the pump
- Relief valve provided in housing
- Convenient carrying handle provided in framework
- Inlet and outlet wands provided

Applications

- Transfer and filter hydraulic fluids
- Remove water from hydraulic fluids
- Provide auxiliary filtration on demand

Specifications

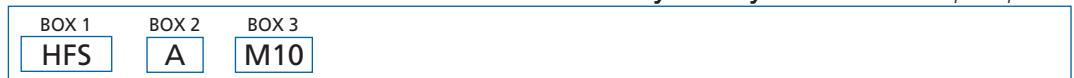
Recommended Fluid:	Petroleum based oils. Contact Schroeder for other applications.
Nominal Flow:	4 gpm (15 L/min)
Maximum Oil Temperature:	180°F (80°C)
Viscosity Range:	40 to 1630 SUS
Maximum Operating Pressure:	50 psi (3.5 bar)
Seal Material:	Buna N
Weight:	27.5 lb (12.5 kg)
Electrical Motor:	110 VAC (0.25 hp / 0.18 kw) or 24 VDC (0.27 hp / 0.20 kw)

Element Performance Information

7" Element	Absolute Rating Per ISO 4572 / NFPA T3.10.8.8 Using automated particle counter (APC) calibrated per ISO 4402			Abs. Rating wrt ISO 16889 Using APC calibrated per ISO 11171		Dirt Holding Capacity gm
	$\beta_x \geq 75$	$\beta_x \geq 100$	$\beta_x \geq 200$	$\beta_{x(c)} \geq 200$	$\beta_{x(c)} \geq 1000$	
M3	6.8	7.5	10.0	N/A	N/A	50
M10	15.5	16.2	18.0	N/A	N/A	37
MZ3	<1.0	<1.0	<2.0	4.7	5.8	105
MZ10	7.4	8.2	10.0	10.0	12.7	104

Model Number Selection

How to Build a Valid Model Number for a Schroeder Handy Filter System: *NOTE: One option per box*



Preferred order codes designate shorter lead times and faster delivery.

BOX 1	BOX 2	BOX 3
Model	Motor	Element
HFS	A = 110 VAC B = 24 VDC	M3 M10 MZ3 MZ10 MW

Note: Box 2: 24 VDC and pneumatic options available. Contact factory.