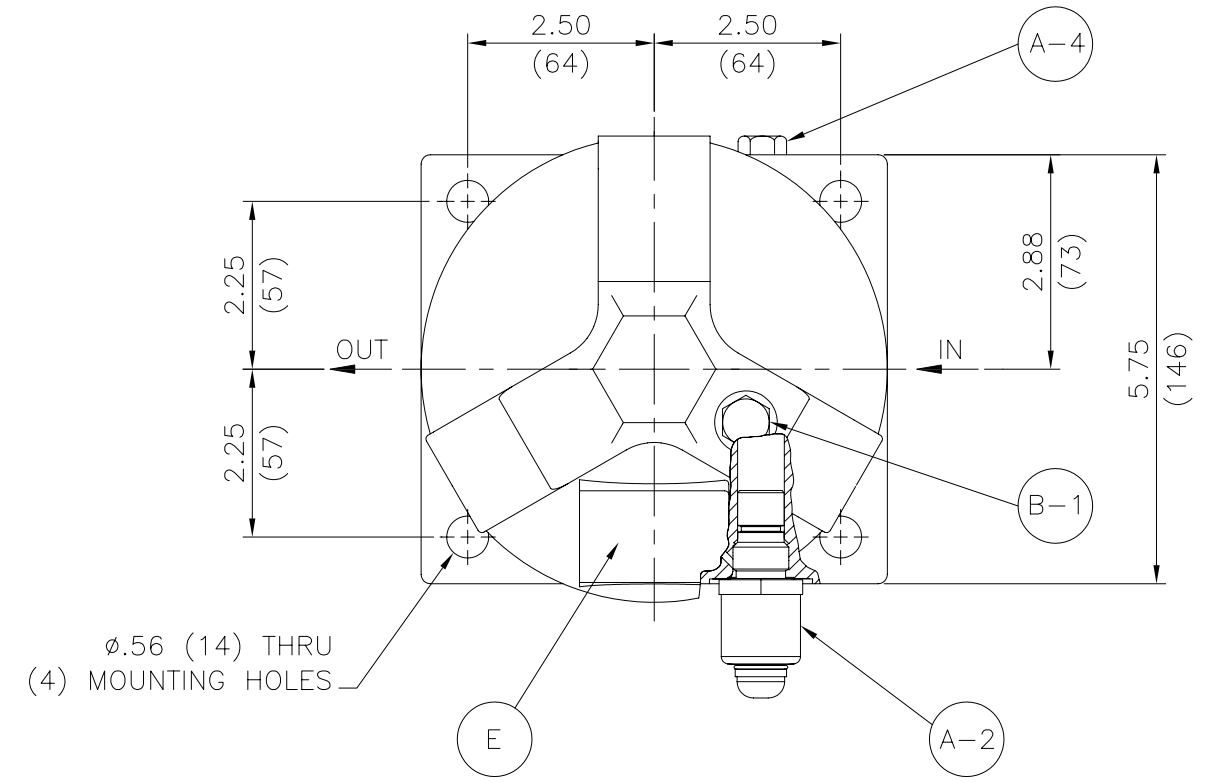
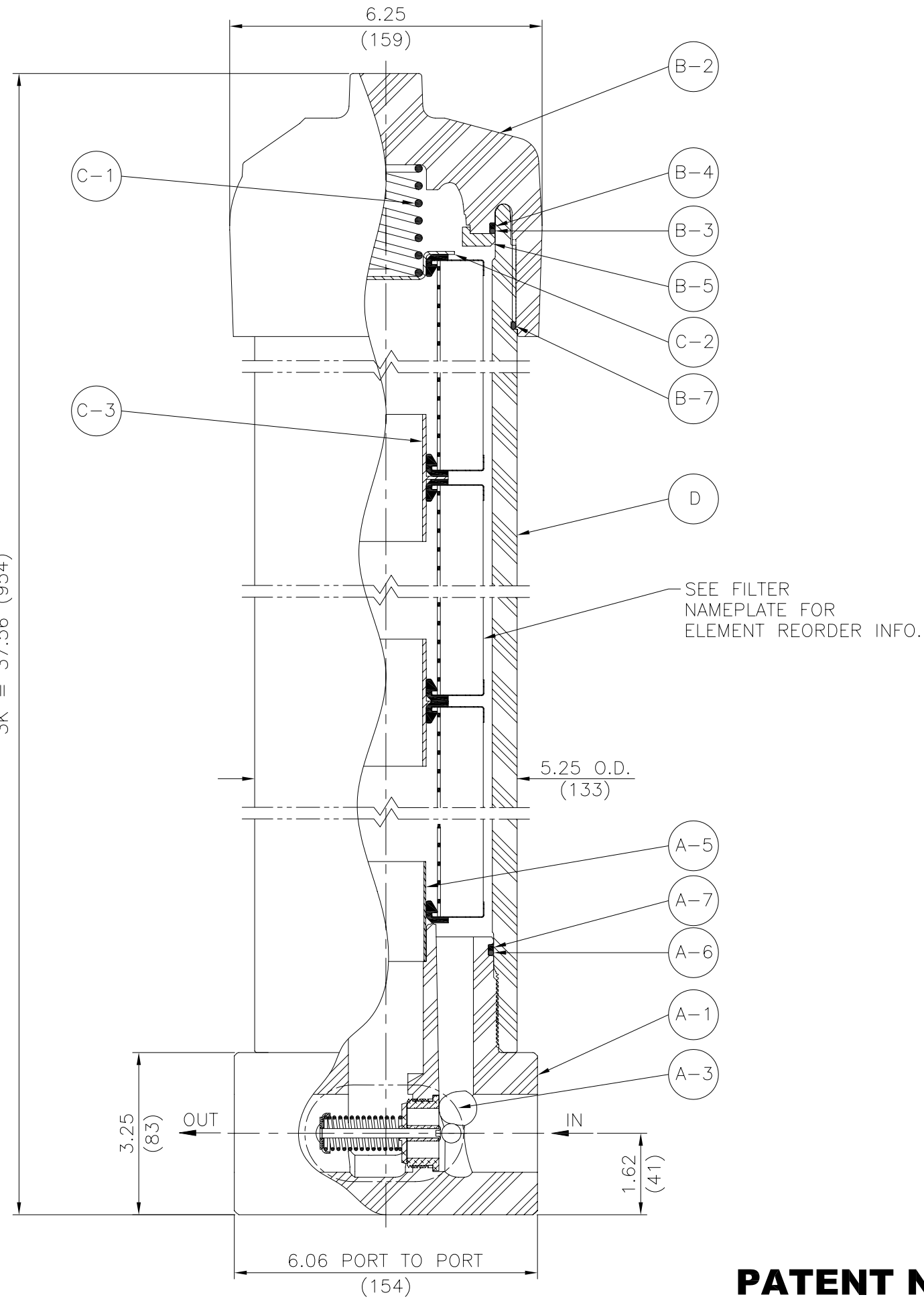
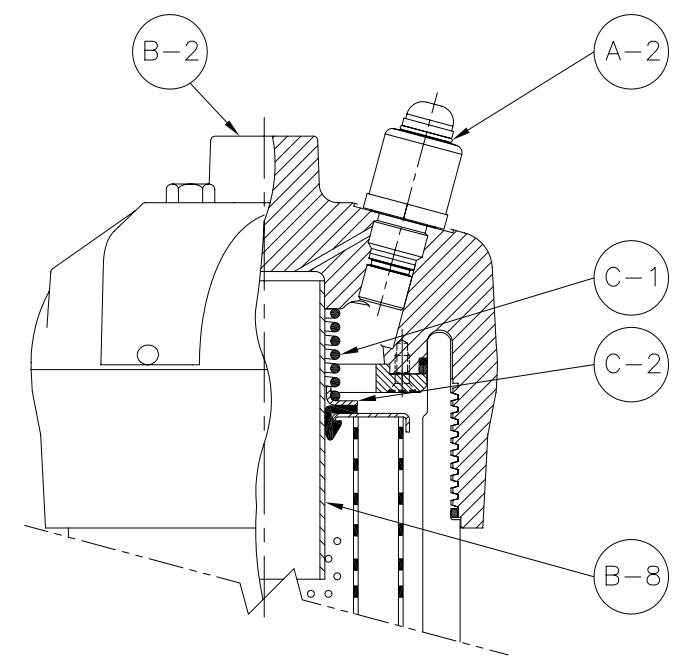


1K = 18.88 (480)  
 2K = 28.25 (718)  
 3K = 37.56 (954)



**BLOCK LOCATION**  
 DIRT ALARM MECHANICAL CARTRIDGE "D9"  
 DIRT ALARM ELECTRICAL CARTRIDGE  
 MOUNTED IN SAME LOCATION



**CAP LOCATION**  
 DIRT ALARM MECHANICAL CARTRIDGE "D9C"  
 DIRT ALARM ELECTRICAL CARTRIDGE NOT  
 AVAILABLE IN CAP.

**PATENT NO. 6,843,378**

MATERIAL:	DEC. TOLERANCES	ALL DIMENSIONS IN INCHES [MM]	REV. CARD: 10803
	2 PL. ±	APP.	REV. DATE: 7-8-09
	3 PL. ±	CHK. M.SCHMITT	9-14-01 B/M
	ANG. ±	DWN. R.STUPAK	9-14-01 P/N

PARTS LIST OF  
 KC65  
 FILTER

THESE DRAWINGS, SPECIFICATIONS, AND THE IDEAS CONTAINED HEREIN ARE THE EXCLUSIVE PROPERTY OF SCHROEDER INDUSTRIES LLC AND ARE CONFIDENTIAL. THESE DOCUMENTS SHALL NOT BE COPIED OR REPRODUCED IN PART OR IN FULL AS A BASIS OF DESIGN, MANUFACTURE, OR SALE; AND SHALL NOT BE USED IN ANY WAY DETRIMENTAL TO THE INTEREST OF THIS COMPANY. THEY ARE SUBJECT TO RETURN UPON REQUEST.



REV. 5	DRAWING NO. D-8646
SCALE: 3/4=1 SHT. 1 OF 2	

# KC65 PARTS LIST

ITEM	QUAN.	PART DESCRIPTION	PART NUMBER	
A	1	BLOCK ASSEMBLY	ORIGINAL	SERIES A
		KC65-F * 1.50 SAE 4 BOLT FLANGE 6000 PSI	A-LF-6253	--
		KC65-F-HE5AC 1.50 SAE 4-BOLT FLANGE 6000 PSI	A-LF-6343	--
		KC65-F-HV5 1.50 SAE 4-BOLT FLANGE 6000 PSI	A-LF-6451	--
		KC65-F 1.50 SAE 4-BOLT FLANGE 6000 PSI	--	
		KC65-F-D9 1.50 SAE 4-BOLT FLANGE 6000 PSI	--	A-LF-9506
B	1	CAP ASSEMBLY WITH NO DIRT ALARM IN CAP	A-LF-6256	A-LF-9507
C	1	ELEMENT ACCESSORY ASSEMBLY		
		(1) ELEMENT LENGTH	A-LF-982	A-LF-982
		(2) ELEMENT LENGTH	A-LF-992	A-LF-992
		(3) ELEMENT LENGTH	A-LF-994	A-LF-994
D	1	TUBE		
		(1) ELEMENT LENGTH	LF-6258	LF-6258-1
		(2) ELEMENT LENGTH	LF-6344	LF-6344-1
		(3) ELEMENT LENGTH	LF-6435	LF-6435-1
E	1	CAP NAMEPLATE	LF-6203	LF-6203
F	1	FILTER SEAL KIT ASSEMBLY		
		FILTER SEAL KIT (BUNA-N)	A-LF-7204	A-LF-9535
		FILTER SEAL KIT (EPR)	A-LF-7204B	A-LF-9535B
		FILTER SEAL KIT (VITON)	A-LF-7204V	A-LF-9535V
A	1	BLOCK ASSEMBLY COMPONENT PARTS		
A-1		KC65-F * 1.50 SAE 4 BOLT FLANGE 6000 PSI	LF-6254	LF-6254-1
A-2	1	DIRT ALARM, NO ELEMENT INDICATOR (N)	A-LF-2945	A-LF-2945
		DIRT ALARM MECHANICAL CARTRIDGE	A-LF-6105-40	D5SS-40
		DIRT ALARM ELECTRICAL CARTRIDGE	A-LF-6103AC-40	SEE NOTE 4
A-3	1	BYPASS VALVE ASSEMBLY	A-LF-2434-40	A-LF-2434-40
A-4	1	PLUG	HS-81	HS-81
A-5	1	BUSHING	LF-571	LF-571
A-6	1	BACKUP RING	LF-2112	LF-2112
A-7	1	"O" RING	LFT-105	LFT-105-90
A-8	1	PLUG ASSEMBLY (NO INDICATOR IN BLOCK) N/S	A-LF-6255	A-LF-2901SS

ITEM	QUAN.	PART DESCRIPTION	PART NUMBER	
B	1	HOUSING PLUG ASSEMBLY COMPONENT PARTS	ORIGINAL	SERIES A
B-1	1	PLUG ASSEMBLY, BLEED	A-LF-1744	A-LF-1744
B-2	1	CAP	LF-6257	LF-6013-1
B-3	1	"O" RING	LFT-105	LFT-105-90
B-4	1	BACKUP RING	LF-2112	LF-2112
B-5	1	RETAINER	LF-6188	LF-6188
B-6	3	PHILLIPS, FLAT HD. MACHINE SCREW	LF-7430	LF-7430
B-7	1	O-RING	N/A	LF-5877
B-8	1	ELEMENT BUSHING	LF-6374	LF-6374
C	1	ELEMENT ACCESSORY ASSEMBLY COMPONENT PARTS		
C-1	1	COMPRESSION SPRING	LF-3236	LF-3236
		COMPRESSION SPRING (DIRT ALARM IN CAP)	LF-2638	LF-2638
C-2	1	COMPRESSION SPRING PLATE	LF-582A-1	LF-582A-1
		COMPRESSION SPRING PLATE (DIRT ALARM IN CAP)	LF-2629	LF-2629
C-3	1	ELEMENT CONNECTOR 2K LENGTH ONLY	LF-1997	LF-1997
	2	ELEMENT CONNECTOR 3K LENGTH ONLY	LF-1997	LF-1997

**NOTES:**

- 1) \* INDICATES NO INDICATOR
  - 2) BLOCK ASSEMBLIES INCLUDE "O" RINGS AND VALVE ASSEMBLY.
  - 3) CONTACT FACTORY FOR SPECIAL "G" NUMBER FILTERS AND FOR NONSTANDARD BYPASS SETTINGS.
  - 4.) ELECTRICAL SWITCHES  
REVIEW PRODUCT CATALOG OR CONTACT FACTORY FOR ENTIRE LINE OF SWITCHES AVAILABLE.
- N/A = NOT AVAILABLE  
N/S = NOT SHOWN

### KC65 FILTER SERIES LIST

SERIES	DATE ISSUED	DATE IMPLEMENTED	DESCRIPTION
ORIGINAL			BAR STOCK BLOCK, LH INDICATOR
SERIES A		10/1/09	CAST BLOCK, RH INDICATOR, KC50 CAP

PARTS LIST FOR KC65 FILTER



REV.	DRAWING NO.
5	D- 8646
SCALE: FULL	SHT. 2 OF 2