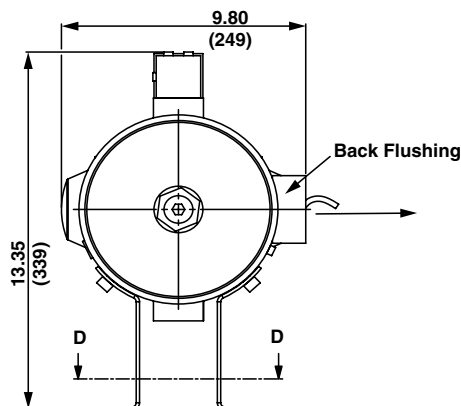
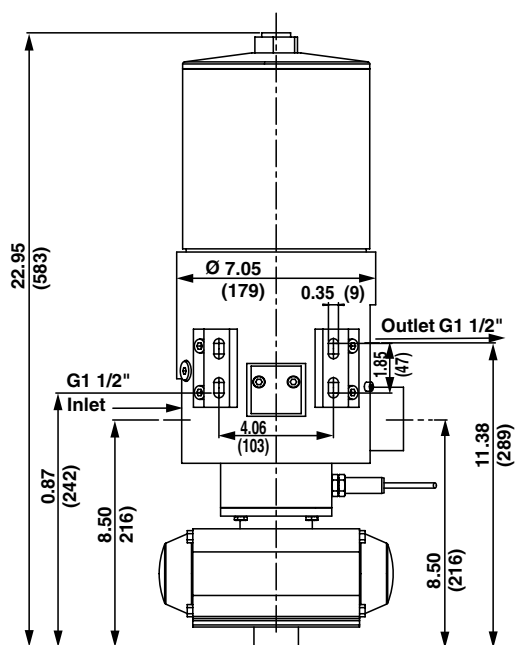


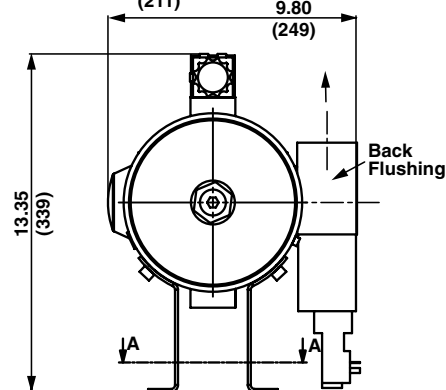
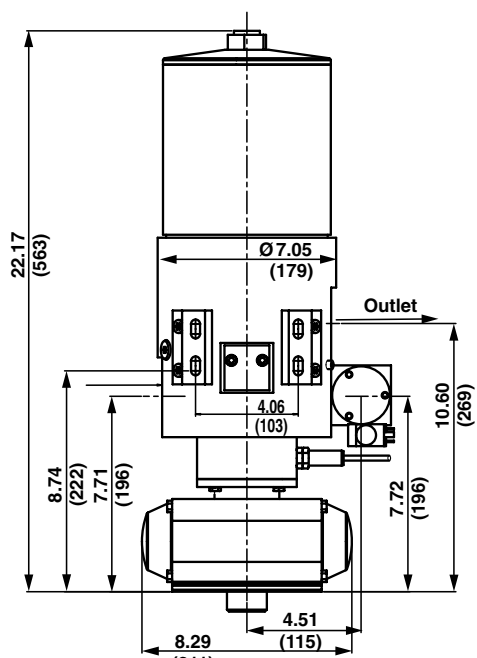
60 gpm  
220 L/min

87 psi  
6 bar

Or  
230 psi  
16 bar



RF4-2  
w/ Co-Ax Cable,  
230 psi



RF4-2  
w/ Lateral Valve,  
230 psi

**NOTES:**

1. Metric dimensions in ( ).
2. Drawings may change without notice. Contact factory for certified drawings.

## Specifications

<b>Process Connection:</b>	G1½" Female
<b>Max Flow:</b>	60 gpm (220 L/min)
<b>Max. Working Pressure:</b>	87 psi (6 bar) or 230 psi (16 bar)
<b>Max. Working Temperature:</b>	194°F (90°C)
<b>Weight:</b>	71 lbs. (32 kg) or 140 lbs. (63kg)
<b>Housing Volume:</b>	1.0 gallons (3.7 L)
<b>Filter Area:</b>	220in. <sup>2</sup> (1420 cm <sup>2</sup> )
<b>No. of Filter Elements</b>	4
<b>Backflush Connection:</b>	G¾ Female
<b>Backflush Volume:</b>	3.4 gallons (13 L/cycle)

# Backflushing Filter AutoFilt® RF4

# RF4-2

### How to Build a Valid Model Number for a RF4:

BOX 1	BOX 2	BOX 3	BOX 4	BOX 5	BOX 6	BOX 7	BOX 8	BOX 9	BOX 10	BOX 11
RF4	2									

Example: NOTE: One option per box

BOX 1	BOX 2	BOX 3	BOX 4	BOX 5	BOX 6	BOX 7	BOX 8	BOX 9	BOX 10	BOX 11
RF4	2	ET	1	NN	E	CO	2	16	X	KMS50

= RF42ET1NNECO216X KMS50

BOX 1	BOX 2	BOX 3	BOX 4	BOX 5
<b>Filter Series</b>	<b>Size</b>	<b>Control Type</b>	<b>Voltage Type</b>	<b>Materials</b>
RF4	2 = G1 1/2"	EPT = Electro-pneumatic cyclic control, (including pneumatic drive) ET = Electric control M = Manual	0 = Without control, without solenoid valve 1 = With control* and solenoid valve 230 V AC 2 = With control* and solenoid valve 24 V AC 3 = Without control, with solenoid valve 230 V AC 4 = Without control, with solenoid valve 24 V AC  Only for ET control: 0C = Without control*, drive 3 x 400 V/N/PE, 60 HZ 1C = With control*, drive 3 x 400 V/N/PE, 60 HZ  *Supply voltage of control is 110-120 V AC, 60 Hz	NN = Carbon Steel, nickel plated (only RF4-2, 230 psi) EE = Stainless Steel head and bowl (only RF4-2, 87 psi)

BOX 6	BOX 7	BOX 8	BOX 9	BOX 10
<b>Material of Internal Parts</b>	<b>Backflushing Valve</b>	<b>Differential Pressure Control</b>	<b>Pressure Range</b>	<b>Modification No.</b>
E = Stainless Steel	0 = Without backflushing valve CO = Coaxial valve, brass KN = Ball valve, nickel plated brass (only on M or EPT control models) KE = Ball valve, nickel plated brass (only on M or EPT control models)	0 = Without differential pressure monitoring 1 = Fixed value: 7.3 psi (0.5 bar), Type DS 32, N/O contact 2 = Adjustable: 1.5 psi (0.1 bar) - 14.5 psi (1 bar), Type DS 31, N/O contact	06 = 87 psi (6 bar) (housing fastened with clamp), only for housings in stainless steel design 16 = 230 psi (16 bar) (filter upper section threaded)	X = Latest version is always supplied

BOX 11
Element Type & Size
KMS = Slotted Tubes, 30 to 1000 µm
KMD = SuperMesh™ 25 µm, 40 µm, 60 µm
SKMS = Slotted Tube Superflush 30 µm to 1000 µm
SKMD = SuperMesh™ Superflush 25 µm, 40 µm, 60 µm

- Filter Model Number Selection
- RF3-C
- RF3-0
- RF3-1
- RF3-2
- RF3-2.5
- RF3-3
- RF3-4
- RF3-5
- RF3-6
- RF3-7
- RF3-8
- RF5
- RF7
- RF10
- RF4
- RF4-1
- RF4-2**
- RF12
- BTU
- ATF
- PLF1
- PVD

NOTES:  
Box 5. AA only available for 16 bar.  
AP only available for 6 bar.