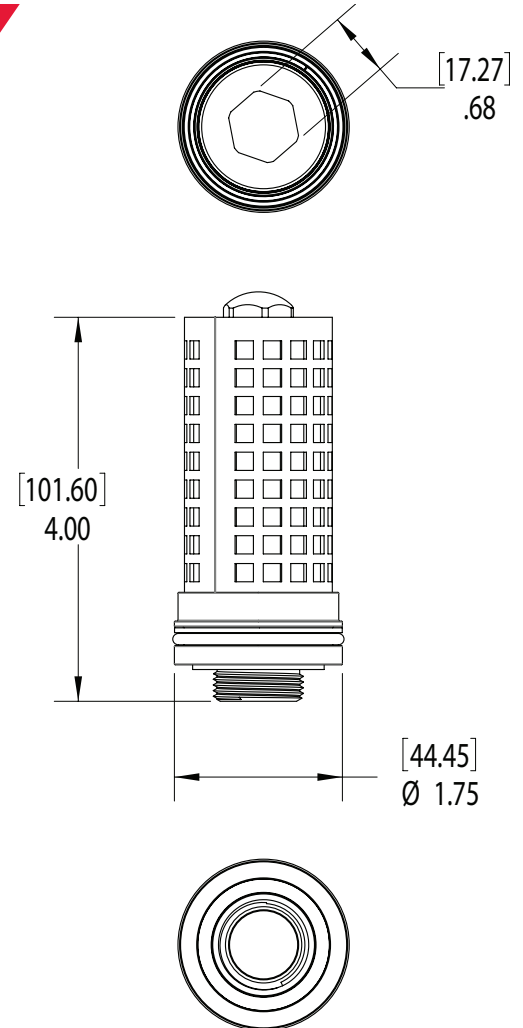


Replacement Elements For Longwall Shields

Schroeder Part Number: MSB-3185-425B (25 μ)



Features & Benefits

- Fully welded seam for better structural and operational integrity
- 18mm Hex head on element end cap for easy removal from SteckO
- Proven Schroeder quality providing contamination solutions to the mining industry for over 50 years
- Factory & field support specifically dedicated to the mining industry

Technical Specifications

Max. Pressure: 5000 psi (350 bar)

Max. Differential Pressure: 5000 psid (350 bar)

Max. Flow Rate: 105 gpm (400 L/min.)

Filter Rating: 25 micron

Material: Body - Stainless Steel
 Metal Mesh - Stainless Steel Wrap
 O-Ring - Buna N
 Back-Up Ring - Nylon

Schroeder
INDUSTRIES

580 West Park Road | Leetsdale, PA 15056
 ph. 724.318.1100 | fax 724.318.1200