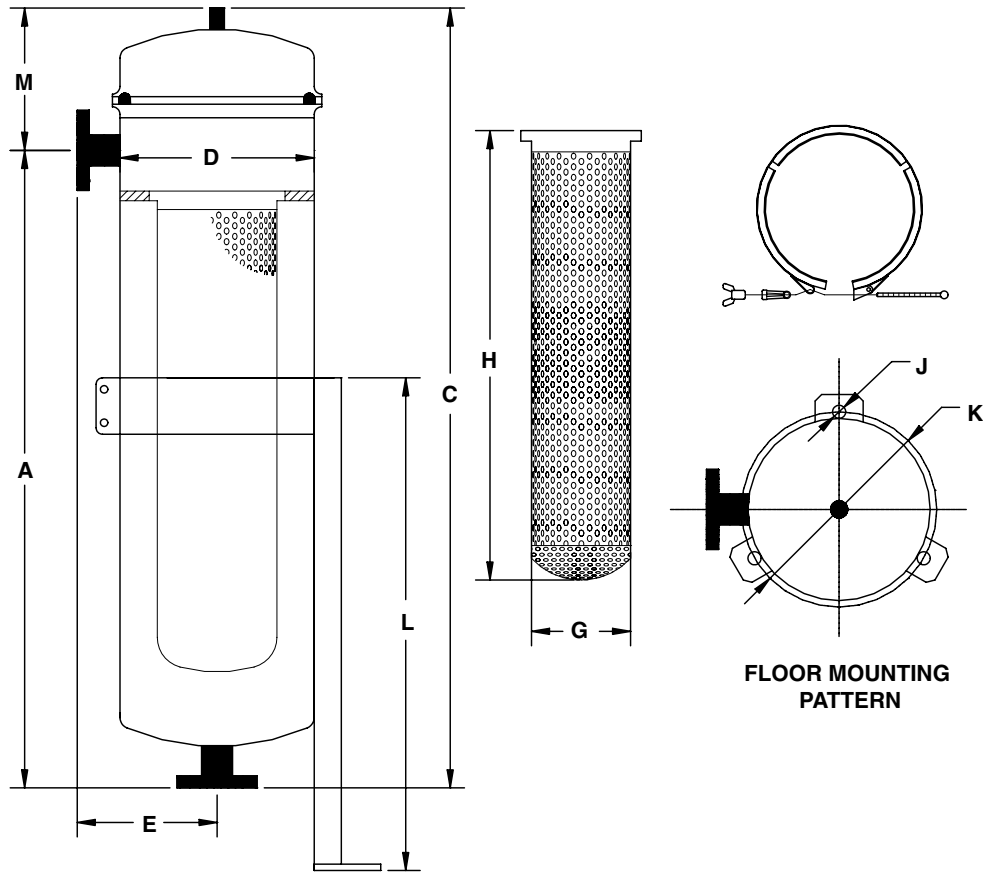


# BH1

# Single Bag housings - 100 psi

100 psi  
7 bar



NOTE:  
Drawings may change without notice. Contact factory for certified drawings.

## Dimensions BH1 100 psi

Model	Bag Size	A inches (mm)	C inches (mm)	D ø inches (mm)	E inches (mm)	G ø inches (mm)	H inches (mm)	J ø inches (mm)	K ø inches (mm)	L inches (mm)	M inches (mm)
BH1	1	21.65 (550)	29.13 (740)	9.13 (232)	6.93 (176)	6.77 (172)	13.78 (350)	0.39 (10)	12.72 (323)	20.47 (520)	7.48 (190)
BH1	2	39.56 (1050)	47.04 (1195)	9.13 (232)	6.93 (176)	6.77 (172)	28.74 (730)	0.39 (10)	12.72 (323)	20.47 (520)	7.48 (190)
BH1	3	14.17 (360)	21.18 (538)	7.08 (180)	5.90 (150)	3.86 (98)	7.87 (200)	0.39 (10)	9.92 (252)	13.78 (350)	7.00 (178)
BH1	4	19.48 (495)	26.49 (673)	7.08 (180)	5.90 (150)	3.86 (98)	12.20 (310)	0.39 (10)	9.92 (252)	13.78 (350)	7.00 (178)

## Specifications

Max. Working Pressure:	100 psi (7 bar)			
Max. Working Temperature:	167°F (75°C)			
Support Leg:	Adjustable			
Lid Closure:	Threaded Clamp			
	BH1 - 1	BH1 - 2	BH1 - 3	BH1 - 4
Max. Flow:	90 gpm (333 L/min)	200 gpm (750 L/min)	20 gpm (75 L/min)	45 gpm (167 L/min)
Housing Volume:	7.13 gal (27 L)	12.15 gal (46L)	2.90 gal (11 L)	3.70 gal (14 L)
Empty Weight:	46 lbs. (21 kg)	57 lbs. (26 kg)	31 lbs. (14 kg)	33 lbs. (15 kg)

# Single Bag Housings -100 psi

# BH1

**BH1**  
100 psi

How to Build a Valid Model Number for a Single Bag Housing, 100 psi:

BOX 1	BOX 2	BOX 3	BOX 4	BOX 5	BOX 6	BOX 7
BH	1					

Example: NOTE: One option per box

BOX 1	BOX 2	BOX 3	BOX 4	BOX 5	BOX 6	BOX 7
BH	1	2	304S	2N	E	0

= BH12304S2NE0

BOX 1	BOX 2	BOX 3	BOX 4	BOX 5
Filter Series	Number of Bags	Bag Size	Material	Connection Size
BH	1	1 2 3 4	304S = 304 Stainless Steel 316S = 316 Stainless Steel 316L = 316L Stainless Steel	1N = 1" NPT 15 = 1.5" NPT 2N = 2" NPT 2F = 2" Flange 25 = 2.5" NPT 25F = 2.5" Flange 3N = 3" NPT 3F = 3" Flange 4N = 4" NPT 4F = 4" Flange
BOX 6	BOX 7			
Seal Material	Pressure Rating			
E = EPDM V = Viton	0 = 100 psi			

**Filter Model Number Selection**

BH1  
150 psi

BH2-  
BH10

DBH2-  
DBH10

Micron- Rated/  
OAB

PPH/PPA

BR