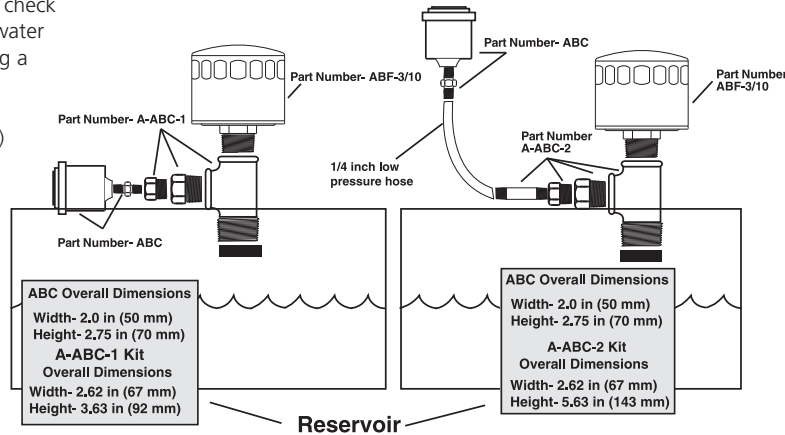


Air Breather Check

The Air Breather Check (ABC) takes the guesswork out of when to change your air breather because it doesn't care how dirty the air breather looks or how long it's been installed. It only cares how well the breather is working. The air breather check is calibrated in inches of water and will activate, providing a visual indication, when a vacuum equivalent of 15 inches of water (3.75 kPa) is reached. The ABC can be reset simply by depressing the yellow button and used over and over again.



Air Breather Check (ABC)
An Indicator
For Your
Air Breather

Air Breathers

Suction
Separators
and
Strainers

Oil Sight
Glasses



Filler Strainer Assemblies

A-TB-779

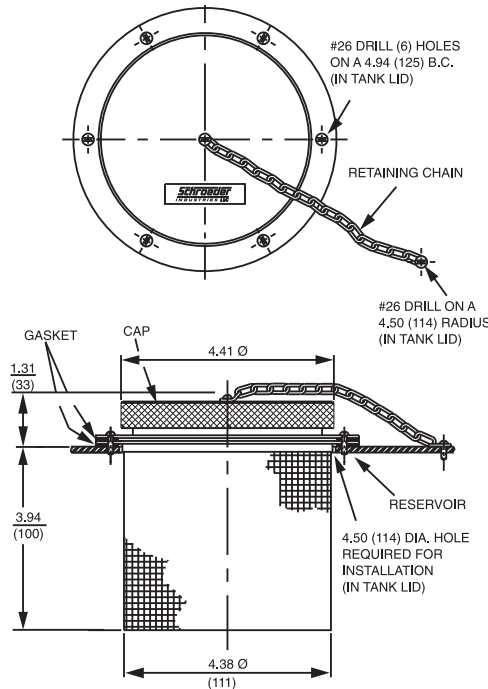
A-TB-780

Speed the process of adding fluid to a reservoir by using our rapid fill cap and strainer. The strainer is 4.38" in diameter and designed to accept cold viscous fluids easily. Choose from two strainer mesh sizes: A-TB-779, which features #24 mesh, and A-TB-780, which is supplied with #70 mesh. The cap completely seals the opening. All assemblies are supplied with necessary hardware, including retaining chain for cap and self tapping screws for installation.

Specifications: A-TB's

Model Number	Mesh Size	Strainer O.D.	Strainer Height	Flange Diameter
A-TB-780	70	4.38	3.94	5.56
A-TB-779	24	(111)	(100)	(141)

Metric dimensions in ().



Rapid
Fill Cap
and
Strainer

